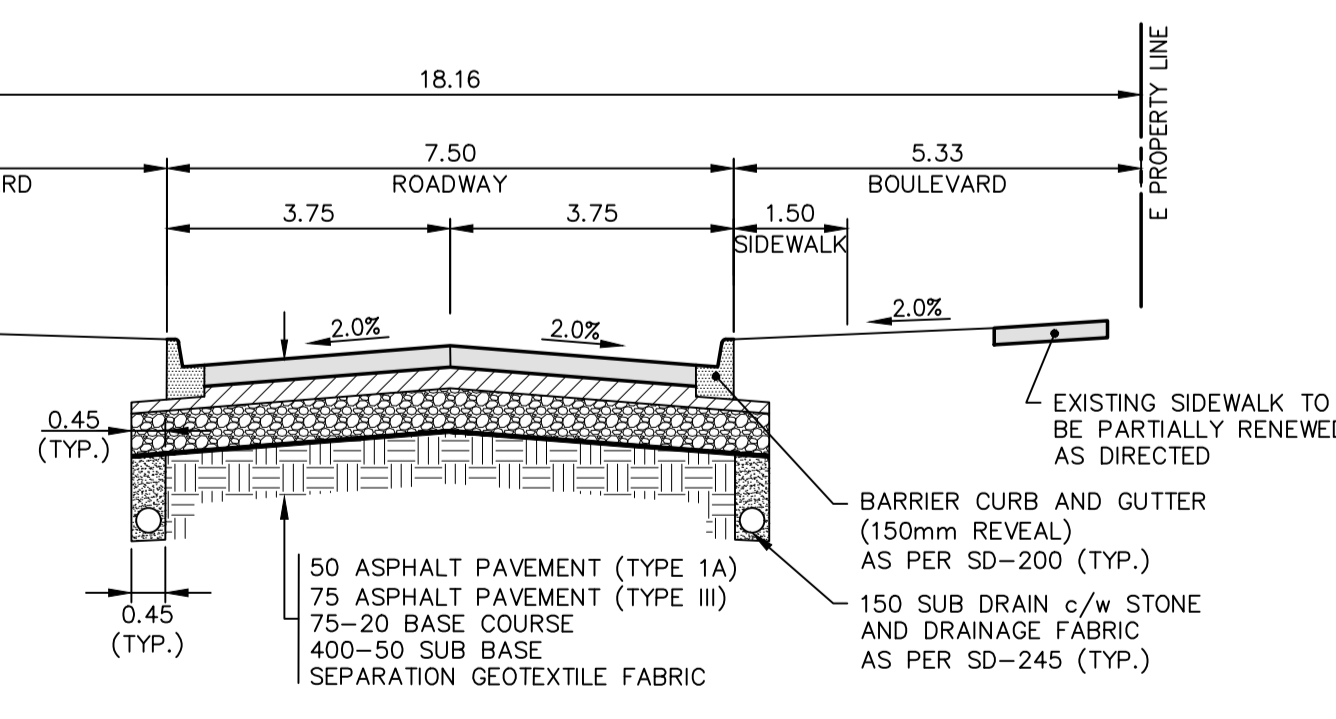


- NOTES:**
1. ALL WORK AND MATERIALS TO BE IN ACCORDANCE WITH THE LATEST REVISION OF THE CITY OF WINNIPEG STANDARD CONSTRUCTION SPECIFICATIONS.
 2. CONTRACTOR TO CONFIRM THE LOCATION OF ALL UTILITIES/SERVICES IN THE FIELD PRIOR TO CONSTRUCTION.
 3. ALL ROADWAY DIMENSIONS SHOWN ARE TO BACK OF CURB.
 4. RENEW CURB AND SIDEWALK AS IDENTIFIED BY CONTRACT ADMINISTRATOR.
 5. ALL PRIVATE WALKWAYS TO BE ADJUSTED TO NEW SIDEWALK OR TOP OF CURB ELEVATION, AS REQUIRED.
 6. ADJUST MH FRAMES, OB RIMS, AND VALVES TO NEW GRADES, AS REQUIRED.
 7. MODIFIED BARRIER CURB TO BE CONSTRUCTED AT ALL INTERSECTION RADII AND BACK LANE RADII.
 8. INSTALL 40mm LIP CURB THROUGH ALL RESIDENTIAL APPROACHES.
 9. LAMP STANDARDS, HYDRO POLES, AND ANCHORS THAT REQUIRE TEMPORARY SUPPORT, REMOVAL OR REPLACEMENT, TO BE DONE SO AT THE EXPENSE OF THE CONTRACTOR AS NECESSARY.
 10. CONTRACTORS TO TAKE PRECAUTIONARY STEPS TO PROTECT EXISTING TREES WITHIN THE LIMITS OF CONSTRUCTION FROM DAMAGE FROM CONSTRUCTION ACTIVITIES AS OUTLINED IN THE SPECIFICATIONS.
 11. ALL BOULEVARDS TO BE SODDED UNLESS OTHERWISE NOTED.
 12. ADJUST ALL WATER VALVES, HYDRANTS, MANHOLES, AND CATCH BASINS IN WORK AREA TO GRADE.



EXISTING	LEGEND-PLAN	PROPOSED	EXISTING	LEGEND-PLAN	PROPOSED	EXISTING	LEGEND-PROFILE	PROPOSED
---	WATER MAIN	—+—	---	IRON BAR	—+—	---	ROADWAY CENTRELINE	—+—
---	LAND DRAINAGE SEWER	—+—	---	HYDRO POLE & LIGHT STANDARD	—+—	---	WEST GUTTER	—+—
---	WASTE WATER SEWER	—+—	---	LIGHT STANDARD OR TRAFFIC SIGNAL	—+—	---	EAST GUTTER	—+—
---	HYDRO	—+—	---	HYDRO POLE	—+—	---	---	---
---	M.T.S.	—+—	---	CURB RAMP	—+—	---	---	---
---	GAS	—+—	---	DETECTABLE WARNING SURFACE TILE	—+—	---	---	---
---	SIGNALS	—+—	---	EDGE OF SIDEWALK	—+—	---	---	---
○	MANHOLE	●	---	FENCE	—+—	---	---	---
□	CATCH BASIN	■	---	PROPERTY LINE	—+—	---	---	---
△	CURB INLET	▽	---	EDGE OF ASPHALT	—+—	---	---	---
△ □ ○	UTILITIES ADJUSTED	△ □ ○	---	EDGE OF CONCRETE	—+—	---	---	---
⌋	PLUG	⌋	---	MODIFIED BARRIER CURB	—+—	---	---	---
◇	HYDRANT	◆	---	BARRIER CURB	—+—	---	---	---
⊗	VALVE	⊗	---	BARRIER CURB AND GUTTER	—+—	---	---	---
⌋	CURB STOP	⌋	---	CONC SIDEWALK	—+—	---	---	---
230.99	GROUND GRADE	230.99	---	CONCRETE SLAB	—+—	---	---	---
(31.00)	PAVEMENT GRADE	(31.00)	---	ASPHALT	—+—	---	---	---
→	ANCHOR	→	---	MILLED SURFACE	—+—	---	---	---
#111	CIVIC ADDRESS	#111	---	---	---	---	---	---

LOCATIONS APPROVED UNDERGROUND STRUCTURES

SIGNED BY: _____ DATE: _____

LOCATION OF UNDERGROUND STRUCTURES AS SHOWN ARE BASED ON THE BEST INFORMATION AVAILABLE BUT NO GUARANTEE IS GIVEN THAT ALL EXISTING UTILITIES ARE SHOWN OR THAT THE GIVEN LOCATIONS ARE EXACT CONFIRMATION OF EXISTENCE AND EXACT LOCATION OF ALL SERVICES MUST BE OBTAINED FROM THE INDIVIDUAL UTILITIES BEFORE PROCEEDING

NO.	REVISIONS	DATE	BY
H			
G			
F			
E			
D			
C	ISSUED FOR TENDER	2019/12/03	R.H.
B	DETAILED DESIGN REVIEW	2019/09/29	K.G.
A	PRELIMINARY DESIGN REVIEW	2019/02/05	K.G.

WSP

G.S.M. 236.899

ELEV. BENCHMARK LOCATION: TOP OF TOP NUT ON HYDRANT AT SOUTHWEST CORNER OF KIRKFIELD AVENUE AND MCBEY AVENUE

DESIGNED BY: K.G./L.V. CHECKED BY: V.M.

DRAWN BY: S.B. APPROVED BY: S.M.

WSP Canada Group Limited
Suite 111 - 93 Lombard Ave
Winnipeg, MB R3B 3B1
t. 204.943.3178
f. 204.943.4948
www.wsp.com

HOR. SCALE: 1:250
VERTICAL: 1:10

RELEASED FOR CONSTRUCTION

DATE: JANUARY 2019

NOT FOR CONSTRUCTION

CONSULTANT ACAD DWG. NO. 18M-01969-00-31

FOR TENDER PURPOSES ONLY

NOT FOR CONSTRUCTION

THE CITY OF WINNIPEG
PUBLIC WORKS DEPARTMENT
ENGINEERING SERVICES DIVISION

2019 STREET RENEWAL PROGRAM

KIRKFIELD STREET

ASPHALT RECONSTRUCTION
STA. 1+00 TO STA. 2+40

CITY DRAWING NUMBER: ---
SHEET 04 OF 13
BID NO. 1271-2019

ENGINEERS SEAL: NOT FOR CONSTRUCTION

METRIC

WHOLE NUMBERS INDICATE MILLIMETRES
DECIMALIZED NUMBERS INDICATE METRES

ENGINEERS GEOSCIENTISTS MANITOBA
Certificate of Authorization
WSP Canada Group Limited
No. 6657

Dec 05, 2019 - 11:26am P:\2018\18M-01969-00 - 2019 Local Streets Package-19-R-03\Contract 1\10 Drawings\03 Working Drawings\18M-01969-00-31-31.dwg - Job:1271-2019_Drawing-18M-01969-00-31-31